



INSTALLATION GUIDE

ST-06 | ST-08
FACILEKLEAN® BLACK STRAINER

WATCH OUR VIDEO ON **YOUTUBE**

WARRANTY



Installation of Stylish® Sink Black Strainer

For additional technical assistance or for any questions or concerns about your kitchen strainer's warranty, please contact us.

www.stylishkb.com

care@stylishkb.com

www.stylishkb.com/warranty

+1-855-789-5352

IF YOU HAVE PURCHASED A **BLACK STRAINER**, PLEASE MAKE SURE TO READ THESE INSTRUCTIONS CAREFULLY

1

Place foam gasket and strainer body on the top side of drain opening. Alternatively Plumber's Putty could be used instead of foam gasket.

2

From underneath align outer basket with strainer body using center screw, ensure the rubber gasket is under the sink flange, hand start screw to hold components in place.

3

From the top side of the sink and using a large flat head screw driver, secure and tighten the screw until strainer body is center and flush to sink drain hole.

4

Insert tail pipe into home's plumbing and bring side with the nut against strainer outer basket.

5

Tighten tail pipe nut to strainer body, ensure the rubber gasket is present.

6

Run water and confirm no leaks.

CARE AND CLEANING

1. Rinse the strainer with water.
2. Coat the strainer with baking soda, Flitz or Barkeepers friend.
3. With sponge, scrub strainer and all sink walls in the direction of the steel grain.
4. Spray on undiluted vinegar.
5. Rinse again.
6. Buff with a few drops of olive oil.
7. If necessary, repeat procedure.

Stylish International Inc Follow us on Instagram! Check out and let us know your comments [stylish.international.inc](https://www.instagram.com/stylish.international.inc)

REGARDEZ NOTRE VIDÉO SUR YOUTUBE

GARANTIE




Installation de Évier Black
Crépine Stylish®

Pour obtenir une assistance technique supplémentaire ou pour toute question concernant la garantie de votre filtre de cuisine, veuillez nous contacter.

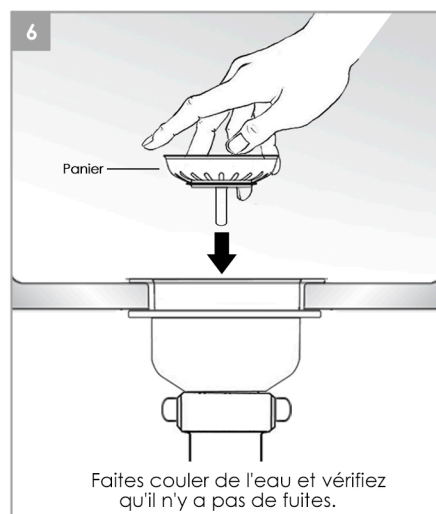
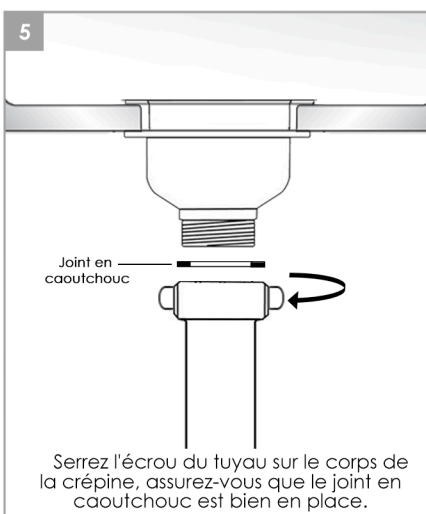
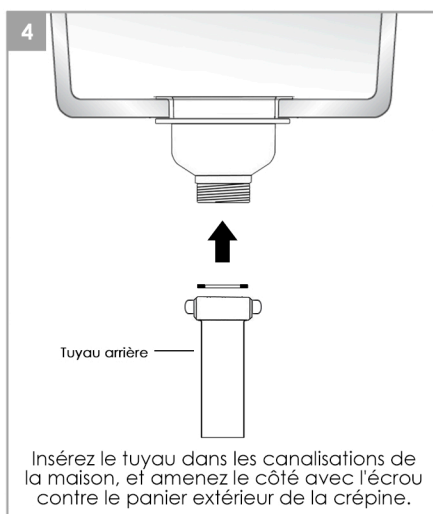
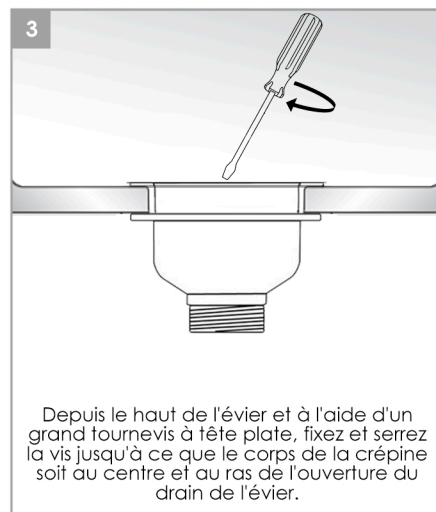
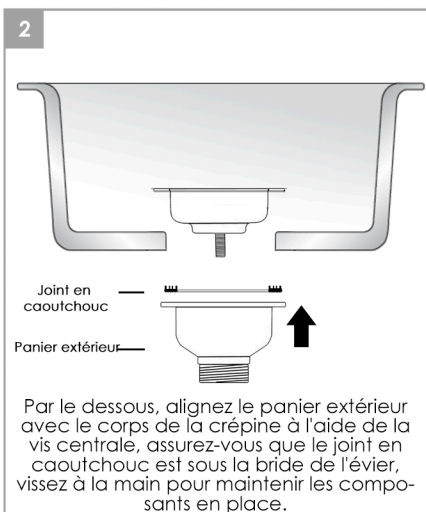
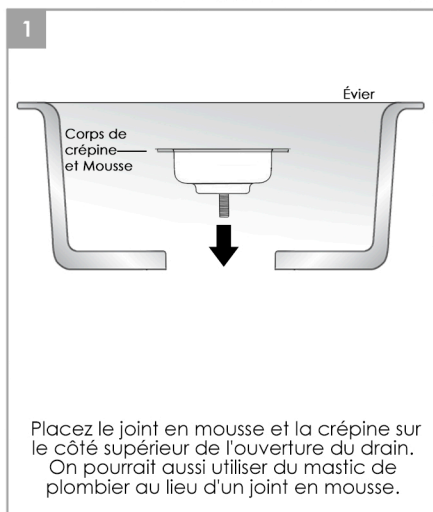
 www.stylishkb.com

 care@stylishkb.com

www.stylishkb.com/warranty

 +1-855-789-5352

SI VOUS AVEZ ACHETÉ UNE CRÉPINE BLACK, VEUILLEZ LIRE ATTENTIVEMENT CES INSTRUCTIONS.



ENTRETIEN ET NETTOYAGE

- Rincez la crépine à l'eau.
- Versez du bicarbonate de soude, du Flitz ou du Barkeepers friend dans la passoire.
- Avec une éponge, frottez la crépine et toutes les parois de l'évier dans le sens du grain d'acier.
- Vaporisez du vinaigre non dilué.
- Rincez à nouveau.
- Frottez avec quelques gouttes d'huile d'olive.
- Si nécessaire, répétez la procédure.